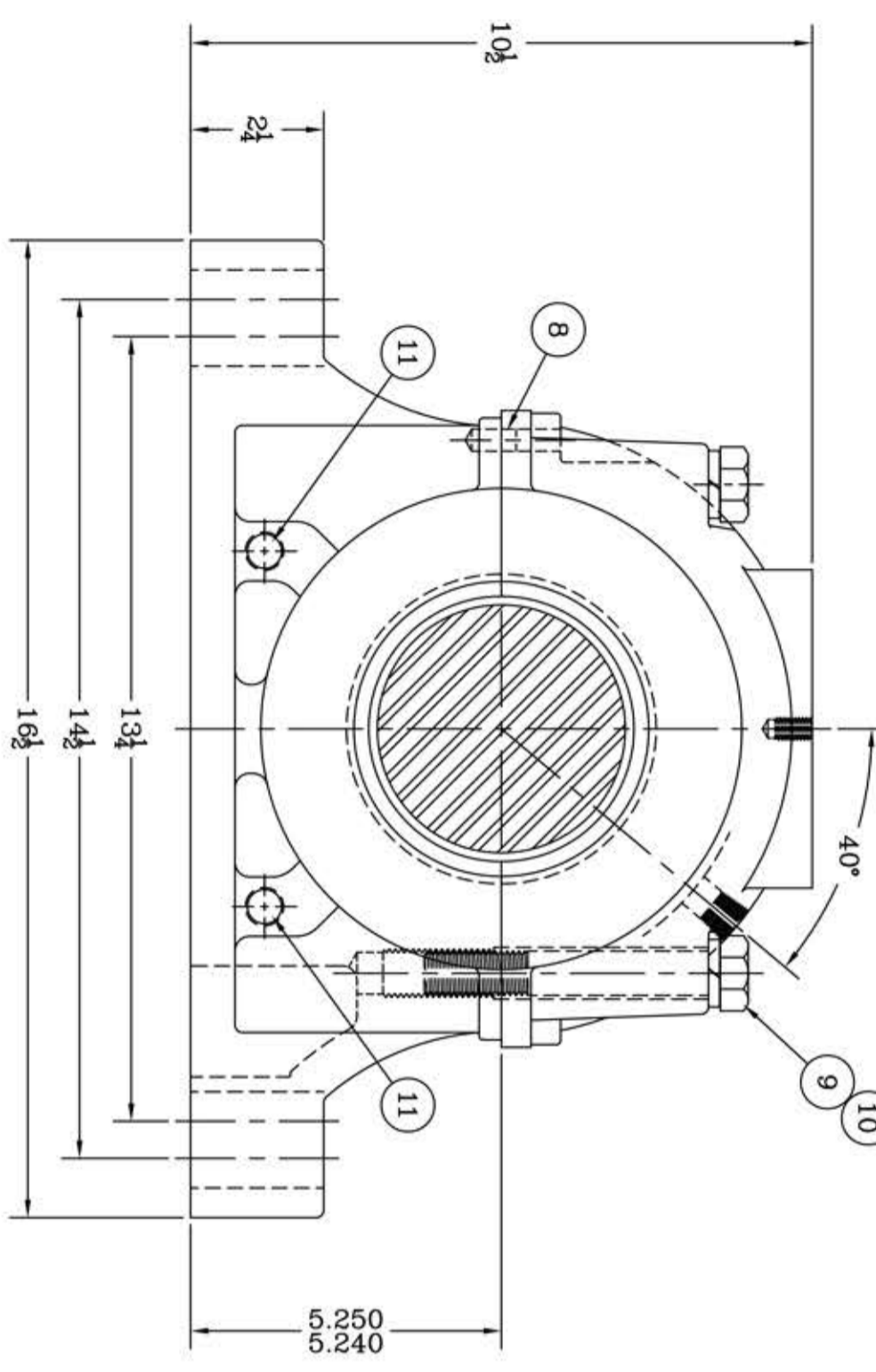
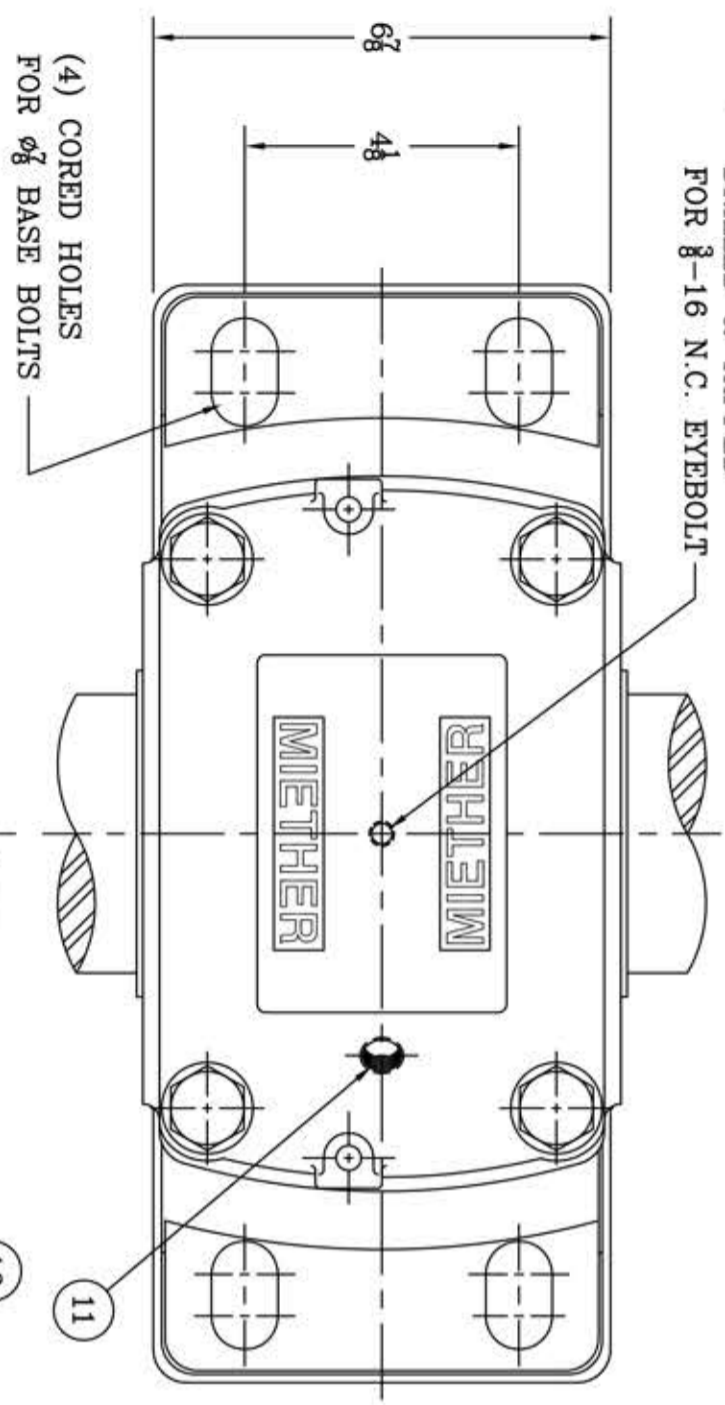


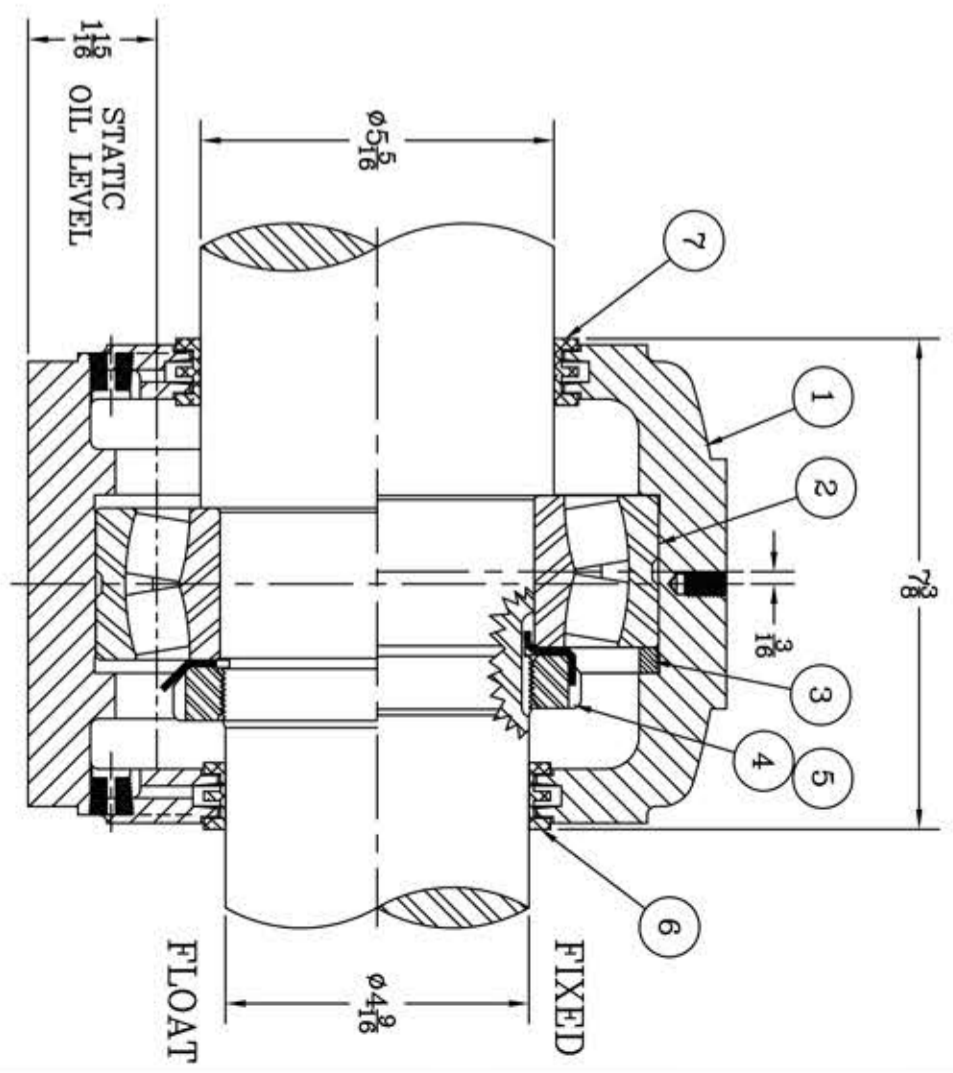
This drawing is the sole property of Miether Bearing Products and contains confidential and proprietary information. It is being provided to you for your use and may not be disclosed to any third party or used for any other purpose without Miether's prior written consent. The [materials] must be returned to the Company upon its demand. Your acceptance of these materials constitutes your acceptance of the foregoing terms.

C-14569

DRILLED & TAPPED
FOR 3/8-16 N.C. EYEBOLT



ITEM	DESCRIPTION	DETAIL	REQUIRED
1	HOUSING SDAF 224	C-13501	1 1
2	SPHERICAL ROLLER BEARING	22224/W-33	1 1
3	STABILIZING RING SR-24-20	A-10604	1 0
4	LOCKNUT AN-24	B-10416	1 1
5	LOCKWASHER W-24	00246	1 1
6	TRIPLE SEAL RING LER-119	A-10625	1 1
7	TRIPLE SEAL RING LER-127	A-10626	1 1
8	DOWEL	3/8 x 3/4 LONG	2 2
9	CAP BOLT HEX. HEAD	3/4-10 NC x 5" LONG	4 4
10	LOCKWASHER	3/4 SPLIT MED.	4 4
11	PIPE PLUG	3/8-18 NPT	5 5



REDRAWN FOR CONFORMITY
RWB per KAB
7-19-04

REVISIONS

SYMBOL	DESCRIPTION
C	REVISION 16
D	REVISION 32
E	REVISION 63
F	REVISION 125
G	REVISION 250
J	REVISION 500
K	REVISION 1000

TOLERANCE: UNLESS OTHERWISE SPECIFIED
FRACTIONS +- 1/32"
DECIMALS +- .005"
CASTING +- 1/16"
WELD +- 1/16"
ANGLES +- 0°-30°

A.I.S.I. STANDARD FINISHES

AN ALCO INDUSTRIES COMPANY
BEARING PRODUCTS
ODESSA, TX. USA

SDAF 22224 05-05 x 04-09
ASSEMBLY DRAWING

SCALE HALF
DRAWN CJ
DATE 1/18/71
CHK:

ASSEMBLY NO.
DRAWING NO. C-14569